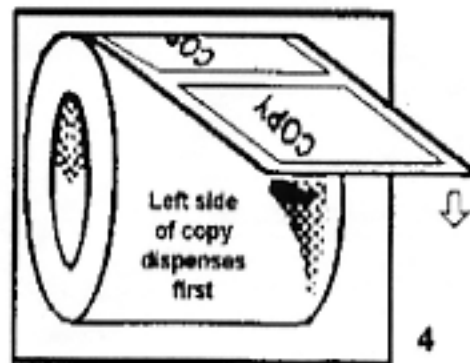
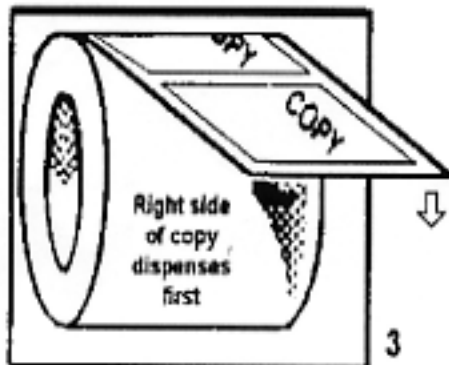
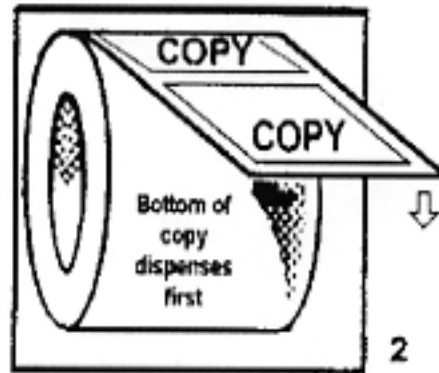
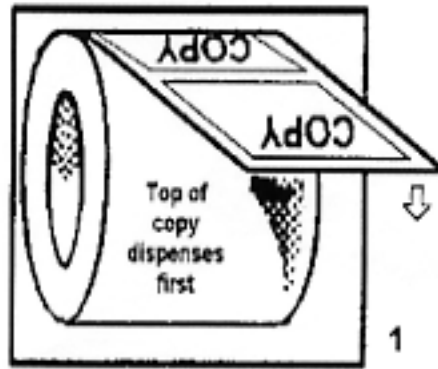


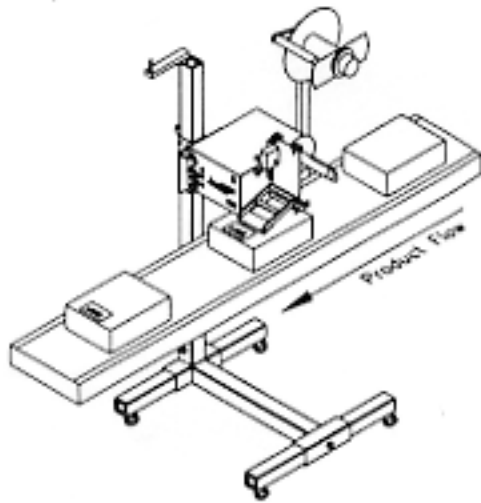
# Label Copy Position Chart

## Labels Wound out

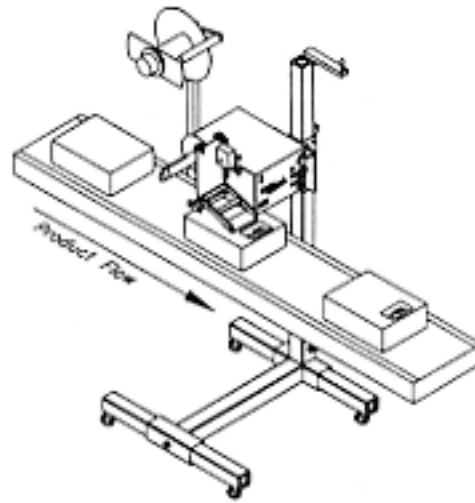


# Getting it *right* or *left*.

(3) Indicates Left Hand      (4) Indicates Right Hand  
Which Hand to Choose; *Right* or *Left*?



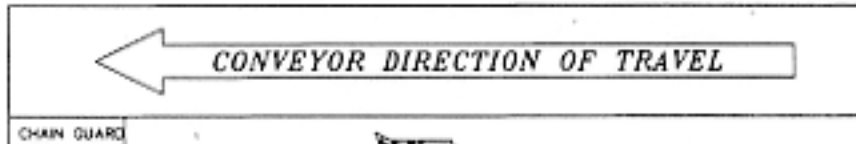
LEFT HAND MACHINE



RIGHT HAND MACHINE

## LEFT HAND APPLIER

Side Applier normally uses  
Fasson Chart #3 for left handed  
applications.



## RIGHT HAND APPLIER

Side Applier normally uses  
Fasson Chart #4 for right handed  
applications.

\*Also see "Label Position" and "Which Hand" Corner Leading and Trailing charts on pages eight and nine.