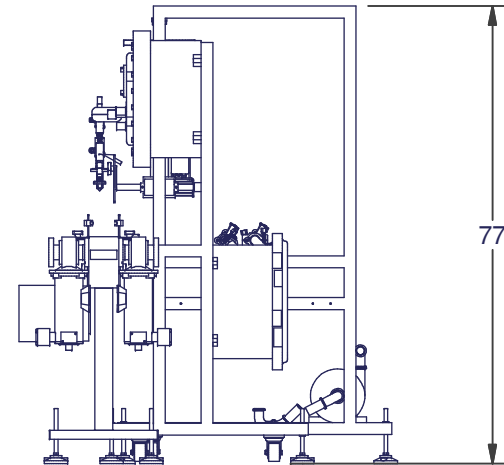
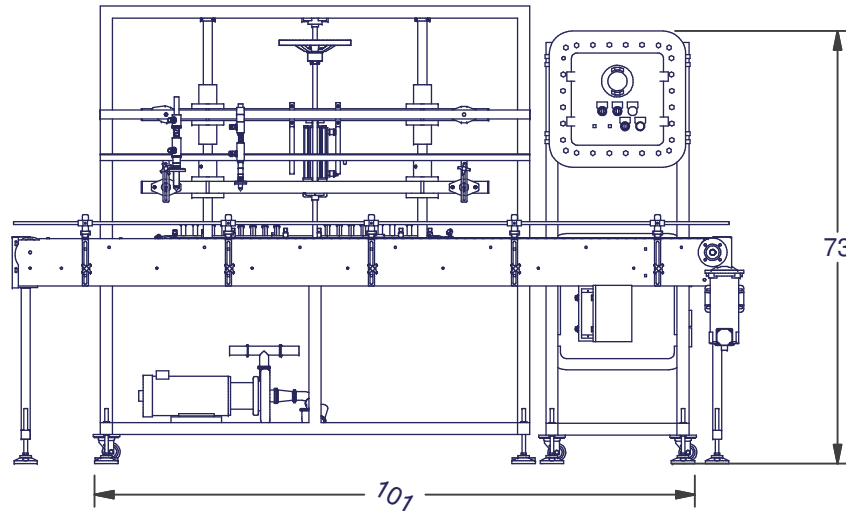
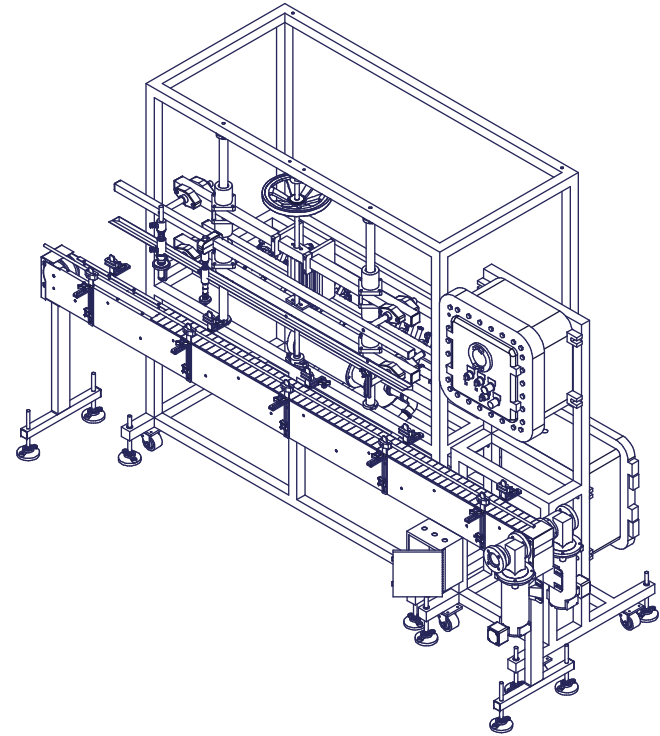
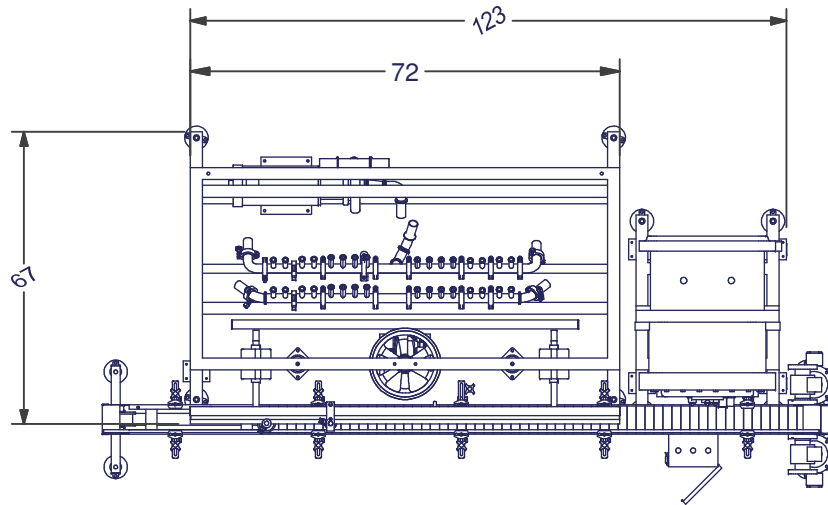


THIS DOCUMENT IS THE EXCLUSIVE PROPERTY OF INLINE FILLING SYSTEMS AND MAY NOT BE USED OR REPRODUCED, NOR ITS CONTENT OR PART THERE OF BE DISCUSSED TO OTHER BY ANY PERSON OR COMPANY WITHOUT THE WRITTEN CONSENT FROM INLINE FILLING SYSTEMS

REVISION DESCRIPTION

DATE INIT



DRAWN BY:  
KEN M

DATE:  
7/22/2008

CHECKED BY:

MATERIAL:

MAT'L TREATMENT:

MAT'L #:



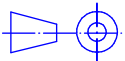
216 S. SEABOARD AVE. TEL: (941) 486-8800  
VENICE, FLORIDA FAX: (941) 486-0077  
USA 34292 EMAIL: sales@fillers.com

MACHINE:

SHEET:  
1 OF 1

TITLE: FOF NT72 BASE MACHINE W/ FOF NT  
CONTROLS HAZLOC C1D1

DWG NO: FOF NT72 BASE MACHINE.iam



DECIMALS / DECIMAUX: .xx ± .01  
DECIMALS / DECIMAUX: .xxx ± .005  
FRACTIONS / FRACTIONS: ± 1/32  
ANGULAR / ANGULAIRE: ± 0.5°  
BREAK ALL SHARP EDGES /  
BRISER TOUTES LES ARRETES