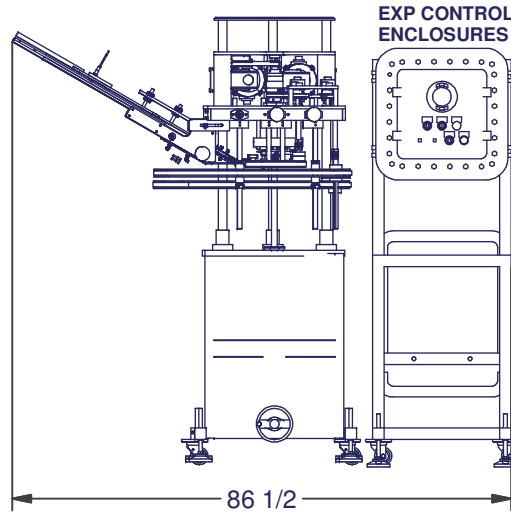
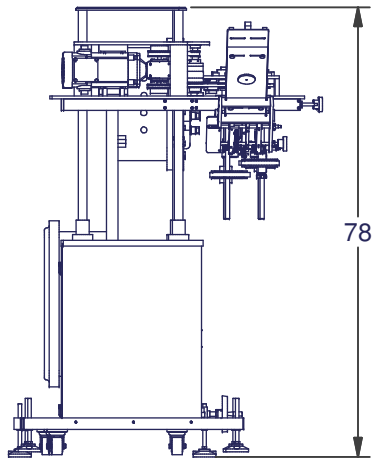
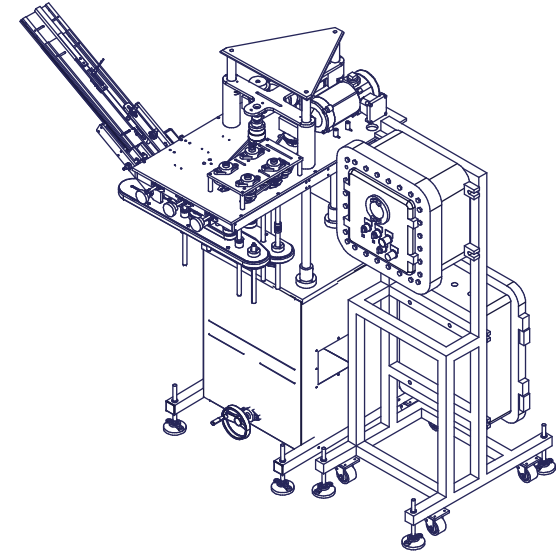
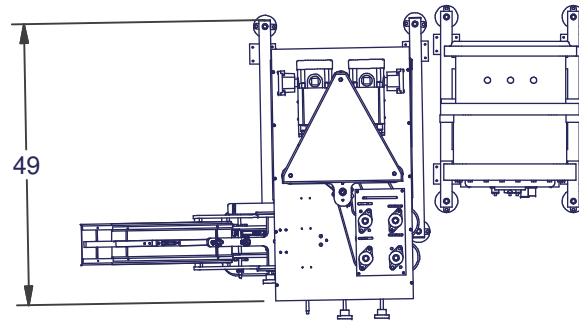


THIS DOCUMENT IS THE EXCLUSIVE PROPERTY OF INLINE FILLING SYSTEMS AND MAY NOT BE USED OR REPRODUCED, NOR ITS CONTENT OR PART THERE OF BE DISCUSSED TO OTHER BY ANY PERSON OR COMPANY WITHOUT THE WRITTEN CONSENT FROM INLINE FILLING SYSTEMS

REVISION DESCRIPTION

DATE INIT



DRAWN BY: km
DATE: 2/20/2013
CHECKED BY:

MATERIAL:

MAT'L TREATMENT:

MAT'L #:



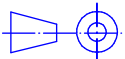
216 S. SEABOARD AVE. TEL: (941) 486-8800
VENICE, FLORIDA FAX: (941) 486-0077
USA 34292 EMAIL: sales@fillers.com

MACHINE:

SHEET:
1 OF 1

TITLE:

DWG NO: CAPPER EXP LH.iam



DECIMALS / DECIMAUX: .xx ± .01
DECIMALS / DECIMAUX: .xxx ± .005
FRACTIONS / FRACTIONS: ± 1/32
ANGULAR / ANGULAIRE: ± 0.5°
BREAK ALL SHARP EDGES /
BRISER TOUTES LES ARRETES