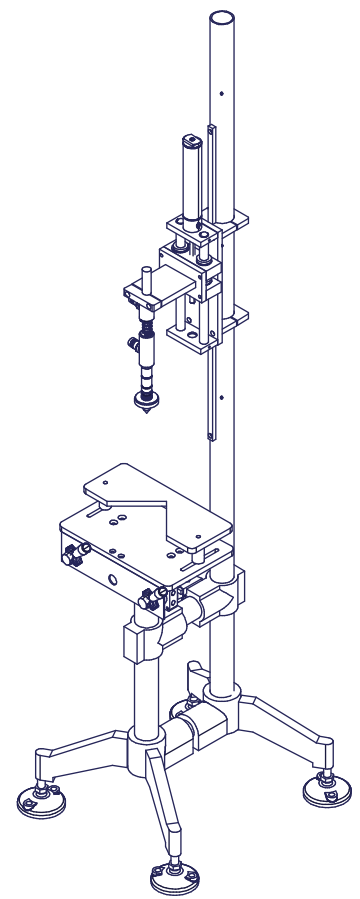
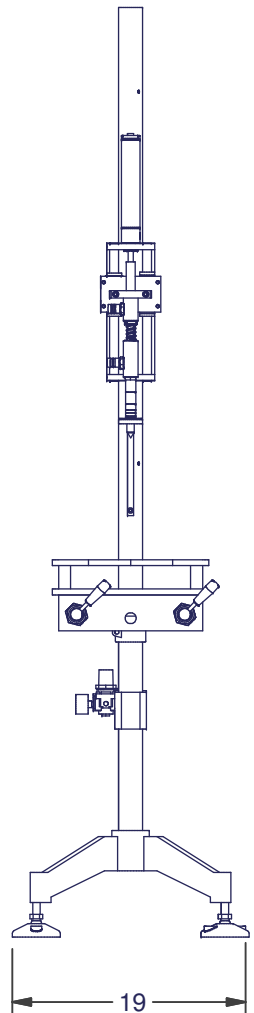
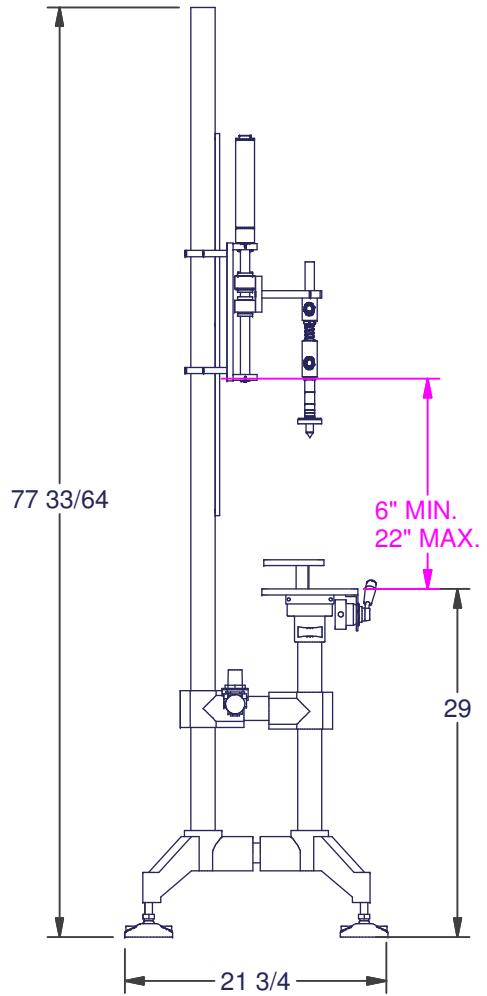


THIS DOCUMENT IS THE EXCLUSIVE PROPERTY OF INLINE FILLING SYSTEMS AND MAY NOT BE USED OR REPRODUCED, NOR ITS CONTENT OR PART THERE OF BE DISCUSSED TO OTHER BY ANY PERSON OR COMPANY WITHOUT THE WRITTEN CONSENT FROM INLINE FILLING SYSTEMS

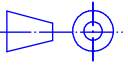
REVISION DESCRIPTION

DATE INIT



DRAWN BY: KEN M
 DATE: 12/29/2004
 CHECKED BY:

DECIMALS / DECIMAUX: .xx ± .01
 DECIMALS / DECIMAUX: .xxx ± .005
 FRACTIONS / FRACTIONS: ± 1/32
 ANGULAR / ANGULAIRE: ± 0.5°
 BREAK ALL SHARP EDGES /
 BRISER TOUTES LES ARRETES



MATERIAL:

MAT'L TREATMENT:

MAT'L #:



216 S. SEABOARD AVE. TEL: (941) 486-8800
 VENICE, FLORIDA FAX: (941) 486-0077
 USA 34292 EMAIL: sales@fillers.com

MACHINE: FOF BENCHTOP BASE MACHINE
 TITLE: SUB FOF BENCHTOP BASE MACHINE
 DWG NO: FOF BENCHTOP BASE MACHINE.iam
 SHEET: 2 OF 2