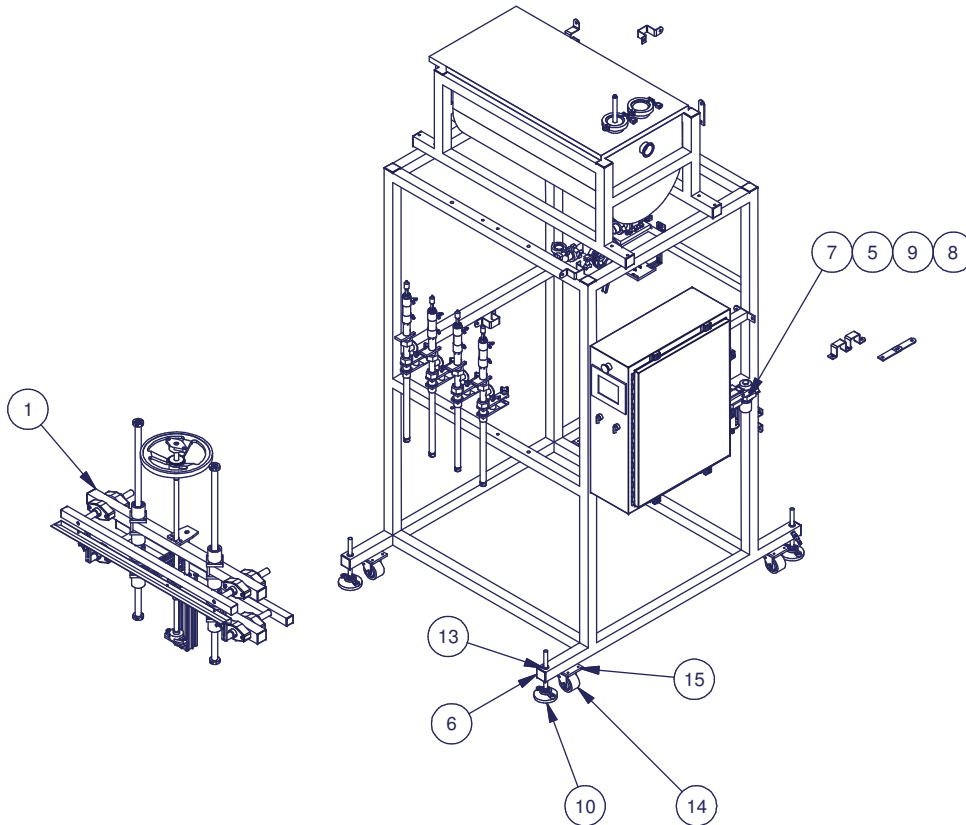
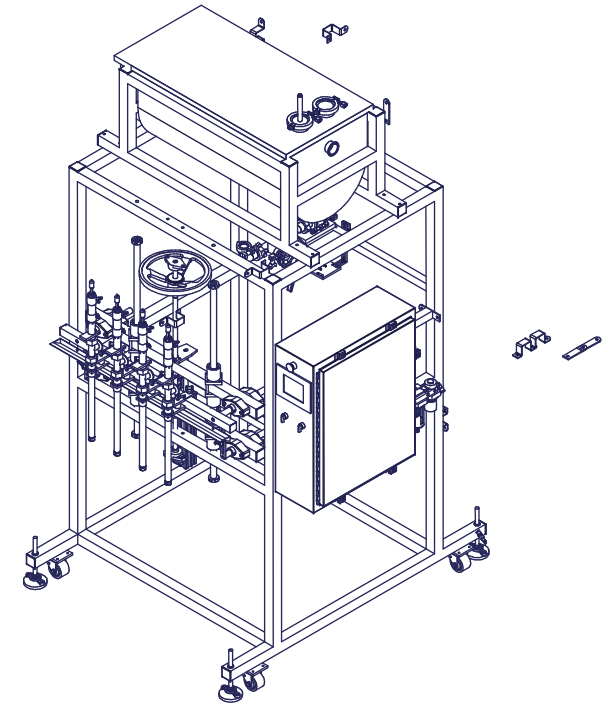


REVISION DESCRIPTION

DATE INIT



Parts List			
ITEM	QTY	PART NUMBER	TITLE
1	1	--	SUB FTG NOZZLE SUPPORT RACK
2	1	--	FTG8 TANK STAINLESS CHEM
3	8	---	FTG NOZZLE GEMINI 1_2
4	1	----	SUB TOUCHSCREEN CONTROL ENCLOSURE 1
5	2	1148	PNEU, 3/8 X 3/8 NPT ELBOW
6	3	1187	END CAPS 2in
7	1	1263	AIR REGULATOR-FILTER LARGE W-DRAIN
8	1	1374	FITTING -AIR QUICK DISCONNECT FEMALE .25in NPTx .25in PLUG
9	1	1472	PNEU 0.375 x .25 NPT-MALE PIPE THREAD
10	4	2058	FEET .625 FOR FILLER - CAPPER
11	1	21119	FRAME FOR FTG4-8
12	1	2475	CONTROL BOX PVC 12X12X6 ENCLOSURE
13	8	3817	FLANGE BUSHING, 3/4" OD x 5/8" ID x 3/4" LG, UHMW
14	4	4907	CASTER - WIDE TREAD - 700LB SWIVEL
15	4	6368	CASTER PLATE FOR CAPPER AND PD FILLERS

DRAWN BY: KEN M
DATE: 7/15/2004
CHECKED BY:

MATERIAL:

MAT'L TREATMENT:

MAT'L #:



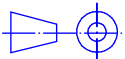
216 S. SEABOARD AVE. TEL: (941) 486-8800
VENICE, FLORIDA FAX: (941) 486-0077
USA 34292 EMAIL: sales@fillers.com

MACHINE: FTG

SHEET: 1 OF 2

TITLE: SUB FTG 8 TO 16 BASE FRAME

DWG NO: FTG 4 TO 8 BASE FRAME.iam

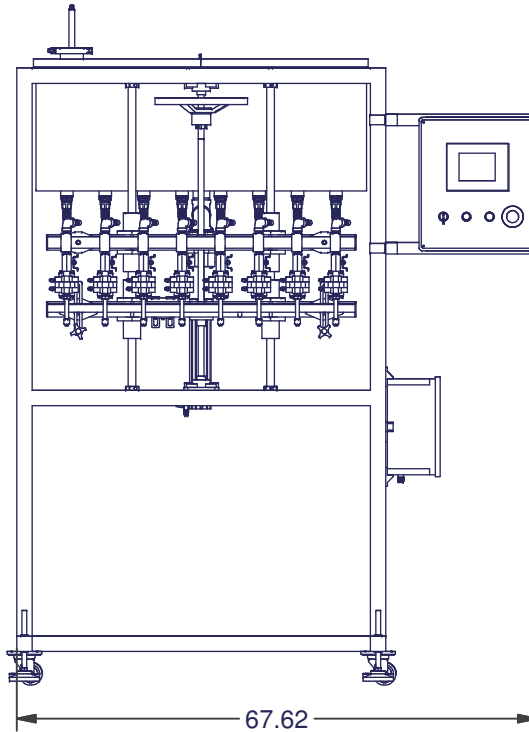
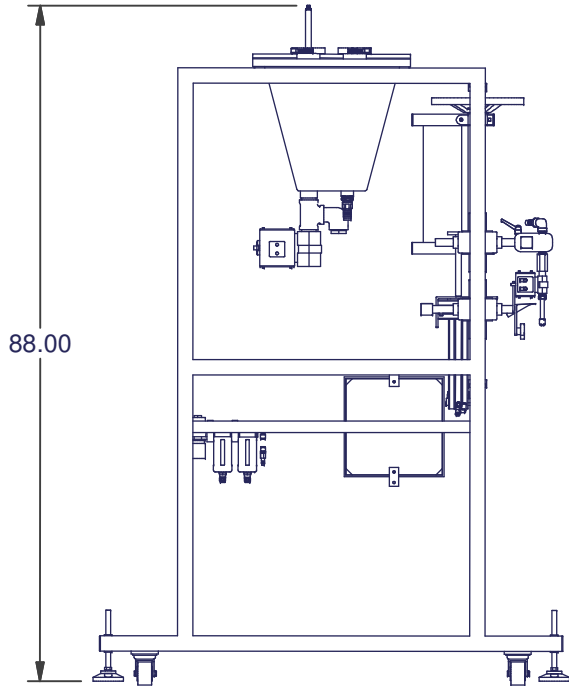
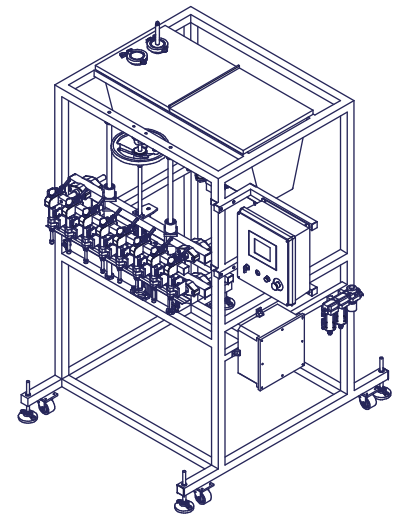
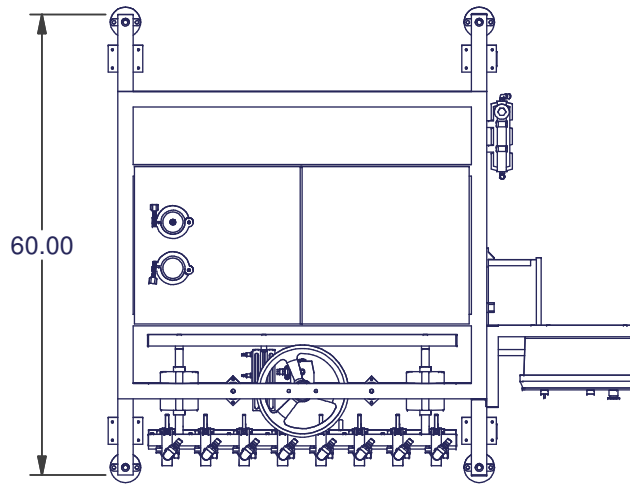


DECIMALS / DECIMAUX: .xx ± .01
DECIMALS / DECIMAUX: .xxx ± .005
FRACTIONS / FRACTIONS: ± 1/32
ANGULAR / ANGULAIRE: ± 0.5°
BREAK ALL SHARP EDGES /
BRISER TOUTES LES ARRETES

THIS DOCUMENT IS THE EXCLUSIVE PROPERTY OF INLINE FILLING SYSTEMS AND MAY NOT BE USED OR REPRODUCED, NOR ITS CONTENT OR PART THERE OF BE DISCUSSED TO OTHER BY ANY PERSON OR COMPANY WITHOUT THE WRITTEN CONSENT FROM INLINE FILLING SYSTEMS

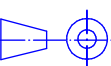
REVISION DESCRIPTION

DATE INIT



DRAWN BY: KEN M
DATE: 7/15/2004

CHECKED BY:
MATERIAL:



DECIMALS / DECIMAUX: .xx ± .01
DECIMALS / DECIMAUX: .xxx ± .005
FRACTIONS / FRACTIONS: ± 1/32
ANGULAR / ANGULAIRE: ± 0.5°
BREAK ALL SHARP EDGES /
BRISER TOUTES LES ARRETES

MAT'L TREATMENT:
MAT'L #:



216 S. SEABOARD AVE. TEL: (941) 486-8800
VENICE, FLORIDA FAX: (941) 486-0077
USA 34292 EMAIL: sales@fillers.com

MACHINE: FTG
SHEET: 2 OF 2

TITLE: SUB FTG 8 TO 16 BASE FRAME
DWG NO: FTG 4 TO 8 BASE FRAME - certol
canister.iam