

REVISION DESCRIPTION

DATE

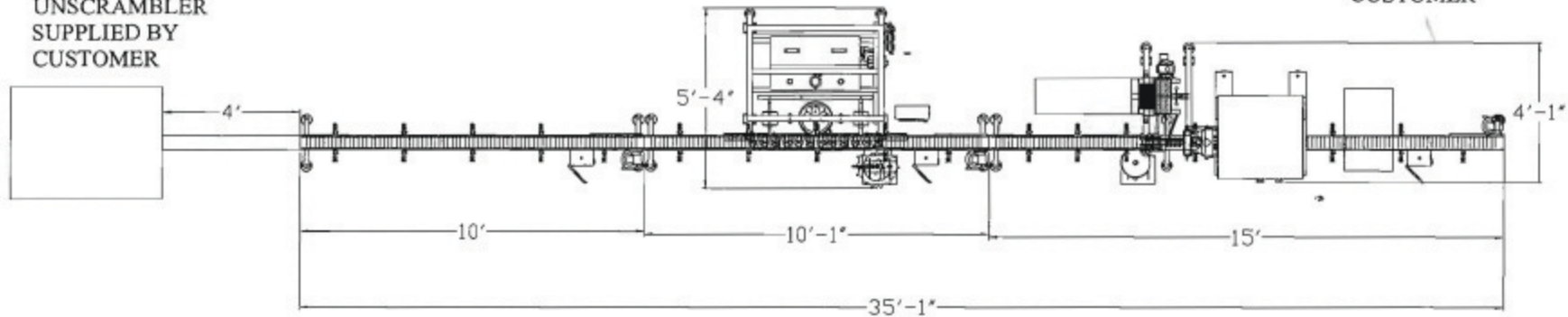
INIT

FOF NT48 BASE MACHINE  
 MODEL: IFS-FOFNT48  
 F STARWHEEL INDEXER  
 FOF PUMP JABSCO 30580  
 FOF MANIFOLD SYS 12 PORT  
 UTILITIES: 230VAC 15A  
 SINGLE PHASE  
 80 PSI @ 12 CFM

CAPPER NT LH  
 W/ELEVATOR SORTER  
 AND BOTTLE SPACER  
 MODEL: IFS-ILCAPPER NT  
 UTILITIES: 230VAC @ 10A  
 80 PSI @ 7 CFM

INDUCTION  
 SEALER  
 SUPPLIED BY  
 CUSTOMER

UNSCRAMBLER  
 SUPPLIED BY  
 CUSTOMER



IFS CONVEYER (CONTINUOUS)  
 10FT (LS820-4.5 CHAIN)  
 UTILITIES: 4A @ 230VAC

IFS CONVEYER (INDEXING)  
 10FT (LS820-4.5 CHAIN)  
 UTILITIES: 4A @ 230VAC

IFS CONVEYER (CONTINUOUS)  
 15FT (LF820-4.5 CHAIN)  
 UTILITIES: 4A @ 230VAC

DRAWN BY:

DATE:

07-25-11

CHECKED BY:

MATERIAL:

MACHINE:

SHEET:

DECIMALS / DECIMAUX: .xx ± .01  
 DECIMALS / DECIMAUX: .xxx ± .005  
 FRACTIONS / FRACTIONS: ± 1/32  
 ANGULAR / ANGULAIRE: ± 0.5°  
 BREAK ALL SHARP EDGES /  
 BRISER TOUTES LES ARRETES

MAT'L TREATMENT:

MAT'L #:

**INLINE FILLING SYSTEMS**

216 S. SEABOARD AVE. TEL: (941) 486-8800  
 VENICE, FLORIDA FAX: (941) 486-0077  
 USA 34292 EMAIL: sales@fillers.com

**Automotive Additives**

DWG NO: