

THIS DOCUMENT IS THE EXCLUSIVE PROPERTY OF INLINE FILLING SYSTEMS AND MAY NOT BE USED OR REPRODUCED, NOR ITS CONTENT OR PART THERE OF BE DISCUSSED TO OTHER BY ANY PERSON OR COMPANY WITHOUT THE WRITTEN CONSENT FROM INLINE FILLING SYSTEMS

REVISION DESCRIPTION	DATE	INIT
----------------------	------	------

### 6 HEAD NETWEIGH FILLER

MODEL :IFNW8

**UTILITIES:**

Electrical: 120VAC @ 20A

Air: 80 PSI @ 7 CFM

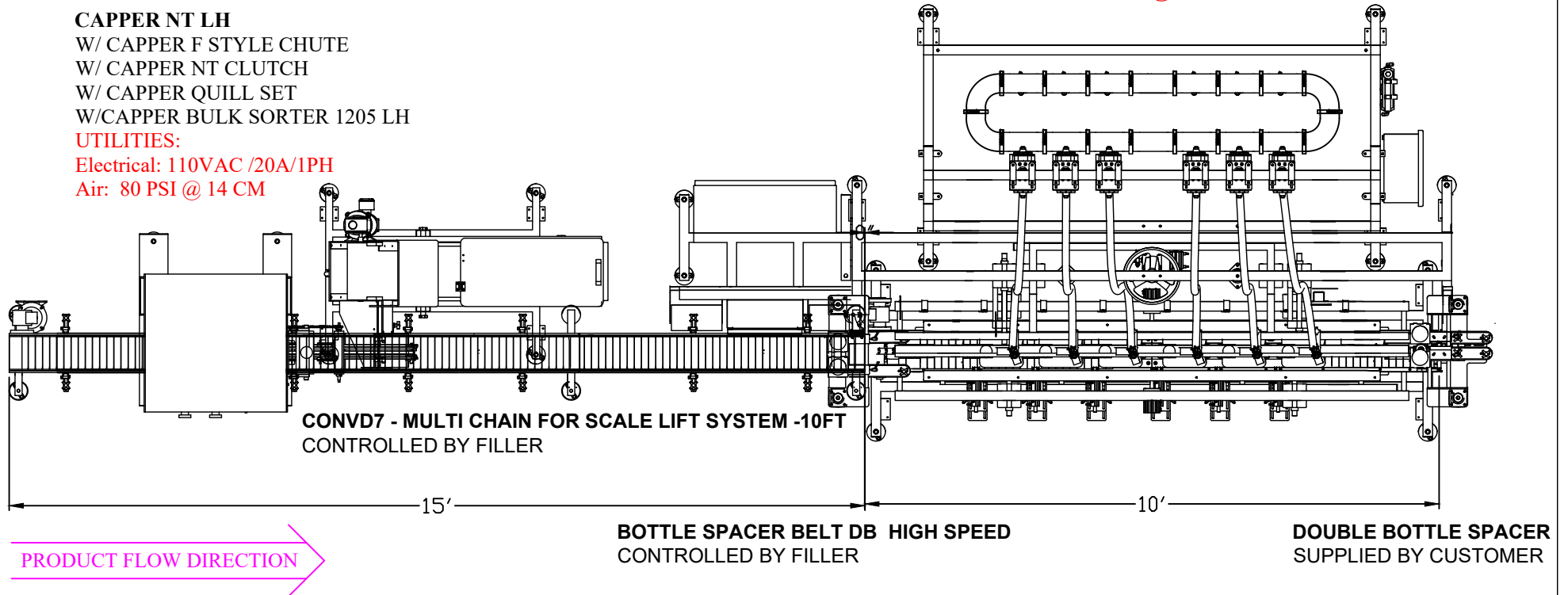
**CAPPER NT LH**

- W/ CAPPER F STYLE CHUTE
- W/ CAPPER NT CLUTCH
- W/ CAPPER QUILL SET
- W/CAPPER BULK SORTER 1205 LH

**UTILITIES:**

Electrical: 110VAC /20A/1PH

Air: 80 PSI @ 14 CM



DRAWN BY: AZ	DATE:	CHECKED BY:	COMPANY:
DOOR DIM : _____		SALES ENGINEER	CONTACT #: 136335
ROOM DIM : _____			
CEILING HT: _____			

**INLINE FILLING SYSTEMS**

216 S. SEABOARD AVE. TEL: (941) 486-8800  
 VENICE, FLORIDA 34285 FAX: (941) 486-0077  
 ALL DIMENSIONS ARE IN FEET AND INCHES UNLESS OTHERWISE SPECIFIED.

**APPROVAL DRAWING**

APPROVED  
 APPROVED AS NOTED  
 RESUBMIT

SIGNED \_\_\_\_\_  
 DATE \_\_\_\_\_

SHEET:  
1 OF 1