

THIS DOCUMENT IS THE EXCLUSIVE PROPERTY OF INLINE FILLING SYSTEMS AND MAY NOT BE USED OR REPRODUCED, NOR ITS CONTENT OR PART THERE OF BE DISCUSSED TO OTHER BY ANY PERSON OR COMPANY WITHOUT THE WRITTEN CONSENT FROM INLINE FILLING SYSTEMS

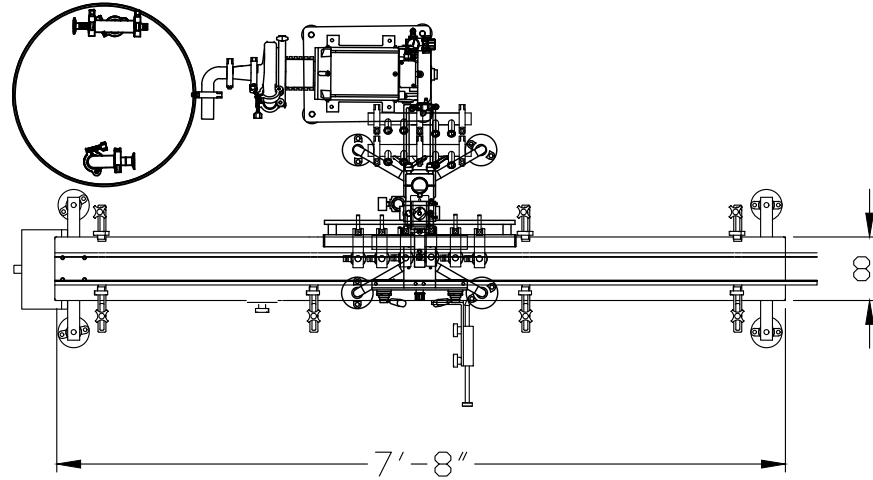
SLIDETRAY HEIGHT: 38 +/-2"

REVISION DESCRIPTION

DATE

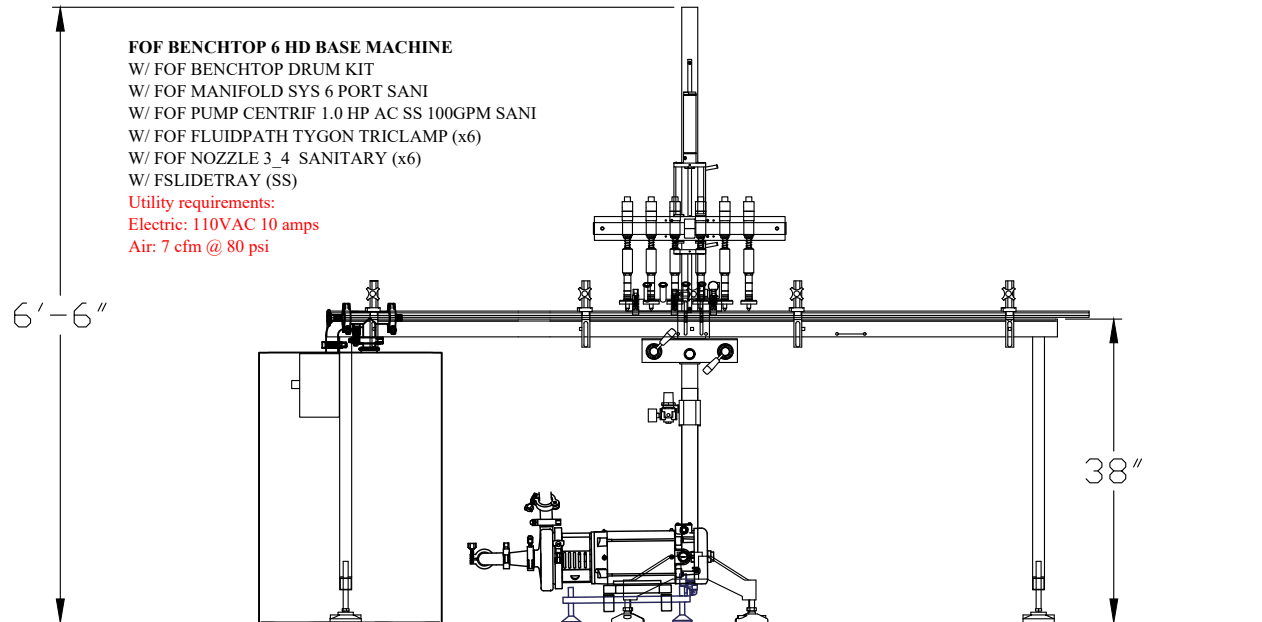
INIT

DRUM OR TOTE SUPPLIED BY CUSTOMER



PRODUCT TRAVELS LEFT TO RIGHT

FOF BENCHTOP 6 HD BASE MACHINE
 W/ FOF BENCHTOP DRUM KIT
 W/ FOF MANIFOLD SYS 6 PORT SANI
 W/ FOF PUMP CENTRIF 1.0 HP AC SS 100GPM SANI
 W/ FOF FLUIDPATH TYGON TRICLAMP (x6)
 W/ FOF NOZZLE 3_4 SANITARY (x6)
 W/ FSLIDETRAY (SS)
 Utility requirements:
 Electric: 110VAC 10 amps
 Air: 7 cfm @ 80 psi



DRAWN BY: _____ DATE: _____ CHECKED BY: _____ COMPANY: _____

DOOR DIM : _____
 ROOM DIM : _____
 CEILING HT: _____

SALES ENGINEER

CONTACT #:
145055



216 S. SEABOARD AVE. TEL: (941) 486-8800
 VENICE, FLORIDA 34285 FAX: (941) 486-0077
 ALL DIMENSIONS ARE IN FEET AND INCHES UNLESS OTHERWISE SPECIFIED.

APPROVAL DRAWING

APPROVED
 APPROVED AS NOTED
 RESUBMIT
 SIGNED _____
 DATE _____

SHEET:
1 OF 1

THIS DOCUMENT IS THE EXCLUSIVE PROPERTY OF INLINE FILLING SYSTEMS AND MAY NOT BE USED OR REPRODUCED, NOR ITS CONTENT OR PART THERE OF BE DISCUSSED TO OTHER BY ANY PERSON OR COMPANY WITHOUT THE WRITTEN CONSENT FROM INLINE FILLING SYSTEMS

REVISION DESCRIPTION	DATE	INIT
----------------------	------	------

1 RINSER BENCHTOP DUAL INVERT

UTILITIES: 10 CFM @ 80 PSI

2 FOF BENCHTOP 4 HD BASE MACHINE WT

W/ FOF BENCHTOP PUMP 10GPM FLOJET SANI
W/ FOF MANIFOLD SYS 4 PORT TRICLAMP
W/ FOF FLUIDPATH TYGON (4X)
W/ FOF NOZZLE 5 8 (4X)
W/ F WORK TABLE 3096

W/ F WORK TABLE RAIL KIT

UTILITIES: 17 CFM @ 80 PSI

3 CAPPER SNAPCAP BENCHTOP

UTILITIES: 5 CFM @ 80 PSI

4 LABELER-SEMI AUTO WRAP F&B

(LABELER - R310 MODEL)

UTILITIES: Electric: 120 VAC / 3 Amps (R310)

3 CFM @ 20 PSI (R310)

5 LABELER-SEMI AUTO TAMP

(LABELER - L60)

UTILITIES: Air: 40PSI Tamp/80PSI Blow-on. Electric: 120 VAC

6 CONVD HEAT TUNNEL DELRIN CHAIN

UTILITIES: Electric 110VAC / 6 amps

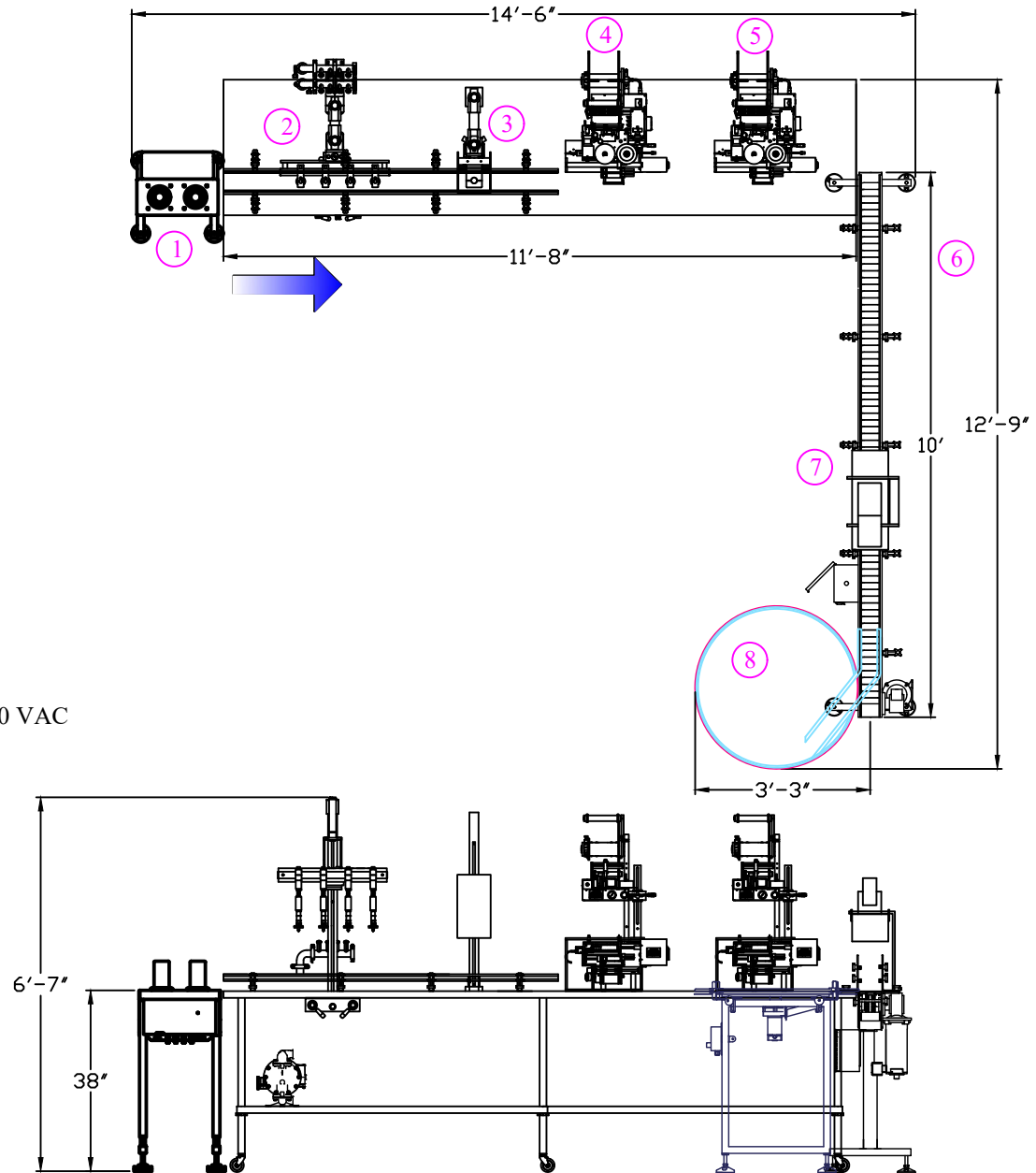
7 TAMPERBAND MARBURG CR6000 TUNNEL

UTILITIES: Electric 240VAC / 1 PH / 30 amps

8 TT36AC ECONO

UTILITIES:

Electric 110VAC / 6 amps



DRAWN BY: _____ DATE: _____ CHECKED BY: _____ COMPANY: _____

DOOR DIM : _____
ROOM DIM : _____
CEILING HT: _____

SALES ENGINEER _____ CONTACT #: 137732



216 S. SEABOARD AVE. TEL: (941) 486-8800
VENICE, FLORIDA 34285 FAX: (941) 486-0077
ALL DIMENSIONS ARE IN FEET AND INCHES UNLESS OTHERWISE SPECIFIED.

APPROVAL DRAWING

- APPROVED
 - APPROVED AS NOTED
 - RESUBMIT
- SIGNED _____
DATE _____

SHEET: 1 OF 1