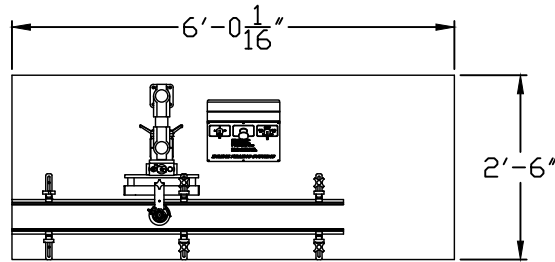
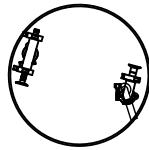


THIS DOCUMENT IS THE EXCLUSIVE PROPERTY OF INLINE FILLING SYSTEMS AND MAY NOT BE USED OR REPRODUCED, NOR ITS CONTENT OR PART THERE OF BE DISCUSSED TO OTHER BY ANY PERSON OR COMPANY WITHOUT THE WRITTEN CONSENT FROM INLINE FILLING SYSTEMS

REVISION DESCRIPTION	DATE	INIT
----------------------	------	------



FP SEMI BASE MACHINE ROTARY

- W/ FP DRUM KIT
- W/ FP SEMI PISTON SET 16 OZ
- W/ FP FLUIDPATH TYGON 1-1/2
- W/ FP NOZZLE 1-1/2 INTERNAL DEPOSITOR
- W/ F WORK TABLE 3072
- W/ F WORK TABLE NOZZLE MOUNT
- W/ F WORK TABLE RAIL KIT
- W/ F WORK TABLE CASTERS

UTILITIES:

Electrical: 3A @ 120 VAC

Air: 6 CFM @ 80PSI

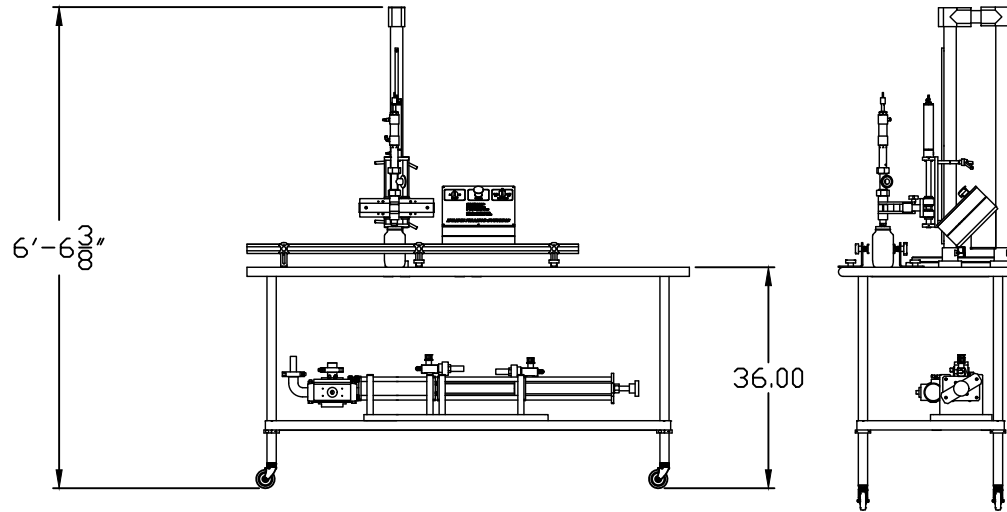


TABLE HEIGHT:
36.0"

DRAWN BY: _____ DATE: _____ CHECKED BY: _____ COMPANY: _____

DOOR DIM : _____
ROOM DIM : _____
CEILING HT: _____

SALES ENGINEER _____ CONTACT #: 124455



216 S. SEABOARD AVE. TEL: (941) 486-8800
VENICE, FLORIDA 34285 FAX: (941) 486-0077
ALL DIMENSIONS ARE IN FEET AND INCHES UNLESS OTHERWISE SPECIFIED.

APPROVAL DRAWING

- APPROVED
 - APPROVED AS NOTED
 - RESUBMIT
- SIGNED _____
DATE _____

SHEET:
1 OF 1